

Socket assemblies - custom fabricated



WIRE ROPE ASSEMBLIES WITH SWAGED AND SPELTER SOCKETS

Boom pendants, guylines, raising lines, backstays, lifting bridles and more. Those are the uses of our wire rope assemblies, offered in both poured (spelter) sockets and mechanically swaged sockets. A Design Factor of five has been used to establish the rated capacities seen in the charts.

When ordering your assemblies, please indicate your choice of end fittings on your purchase order by using the suffixes "OS" or "CS" after the model number. "OS" indicates your preference for an open socket fitting, while "CS" designates a closed fitting.

Pins and cotters are supplied as standard on open fittings only. Assemblies may be specified without pins. All fittings will be assembled with the pin holes in the same plane unless your order specifies otherwise.

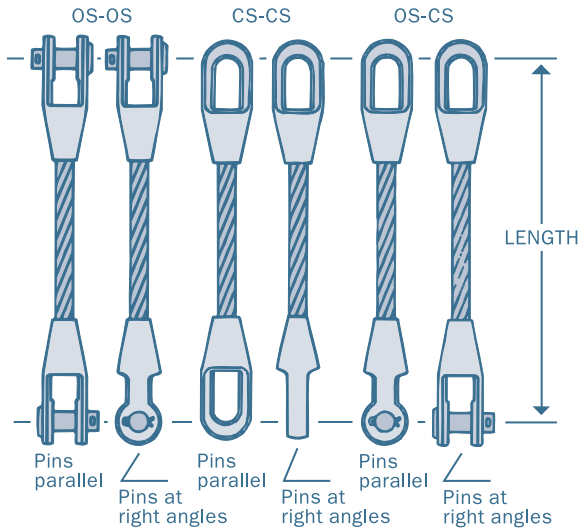
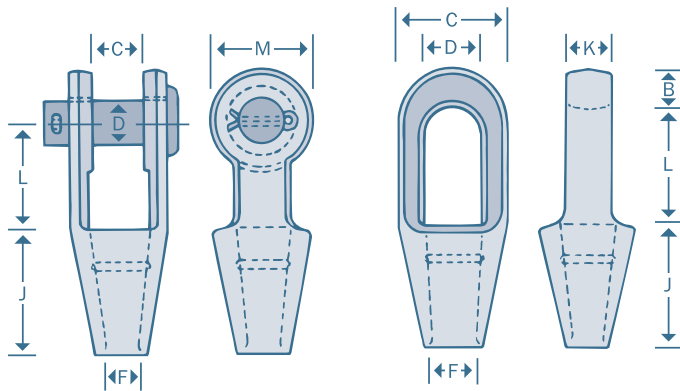
Both types of attachments develop 100% of the rope's minimum breaking force.

SPELTER SOCKET

Molten zinc is the standard socketing material, however, an epoxy socketing material can be specified. Both have the same Rated Capacity. Steel forgings are used on rope sizes 1/2" through 1-1/2" and cast steel fittings are used for larger sizes. Rope sizes larger than 4" are available on special order.

The assembly lengths are measured from the centerline point of the pin for open sockets and the bearing point for closed sockets.

110 SPELTER SOCKET



| IWRC Rope Dia. | RATED CAPACITY In Tons of 2000 lbs. | |
|----------------|-------------------------------------|-------|
| | XIP® | XXIP® |
| #1/2 | 2.7 | 2.9 |
| 9/16 | 3.4 | 3.7 |
| 5/8 | 4.1 | 4.5 |
| 3/4 | 5.9 | 6.5 |
| 7/8 | 8.0 | 8.8 |
| 1 | 10 | 11 |
| 1-1/8 | 13 | 14 |
| 1-1/4 | 16 | 18 |
| 1-3/8 | 19 | 21 |
| 1-1/2 | 23 | 25 |
| 1-5/8 | 26 | 29 |
| 1-3/4 | 31 | 34 |
| 1-7/8 | 35 | 38 |
| 2 | 40 | 43 |
| 2-1/8 | 44 | 49 |
| 2-1/4 | 49 | 54 |
| 2-3/8 | 55 | 60 |
| 2-1/2 | 60 | 66 |
| 2-5/8 | 66 | 73 |
| 2-3/4 | 72 | 79 |
| 2-7/8 | 78 | 86 |
| 3 | 85 | 94 |
| 3-1/8 | 92 | 101 |
| 3-1/4 | 98 | 108 |
| 3-3/8 | 106 | 116 |
| 3-1/2 | 113 | 124 |
| 3-5/8 | 120 | 132 |
| 3-3/4 | 128 | 141 |
| 4 | 144 | 159 |

110 OPEN SPELTER SOCKET

| | Rope Diameter | C | D | F | J | L | M |
|--------------|---------------|------|------|------|-------|-------|-------|
| FORGED STEEL | 7/16-1/2 | 1.00 | 1.00 | 0.56 | 2.50 | 2.00 | 1.88 |
| | 9/16-5/8 | 1.25 | 1.19 | 0.69 | 3.00 | 2.50 | 2.25 |
| | 3/4 | 1.50 | 1.38 | 0.81 | 3.50 | 3.00 | 2.62 |
| | 7/8 | 1.75 | 1.63 | 0.94 | 4.00 | 3.50 | 3.13 |
| | 1 | 2.00 | 2.00 | 1.13 | 4.50 | 4.00 | 3.75 |
| | 1-1/8 | 2.25 | 2.25 | 1.25 | 5.00 | 4.62 | 4.12 |
| | 1-1/4-1-3/8 | 2.50 | 2.50 | 1.50 | 5.50 | 5.00 | 4.75 |
| | 1-1/2 | 3.00 | 2.75 | 1.63 | 6.00 | 6.00 | 5.38 |
| CAST STEEL | 1-5/8 | 3.00 | 3.00 | 1.75 | 6.50 | 6.50 | 5.75 |
| | 1-3/4-1-7/8 | 3.50 | 3.50 | 2.00 | 7.50 | 7.00 | 6.50 |
| | 2-2-1/8 | 4.00 | 3.75 | 2.25 | 8.50 | 9.00 | 7.00 |
| | 2-1/4-2-3/8 | 4.50 | 4.25 | 2.50 | 9.00 | 10.00 | 7.75 |
| | 2-1/2-2-5/8 | 5.00 | 4.75 | 2.88 | 9.75 | 10.75 | 8.50 |
| | 2-3/4-2-7/8 | 5.25 | 5.00 | 3.12 | 11.00 | 11.00 | 9.00 |
| | 3-3-1/8 | 5.75 | 5.25 | 3.38 | 12.00 | 11.25 | 9.50 |
| | 3-1/4-3-3/8 | 6.25 | 5.50 | 3.62 | 13.00 | 11.75 | 10.00 |
| | 3-1/2-3-5/8 | 6.75 | 6.00 | 3.88 | 14.00 | 12.50 | 10.75 |
| | 3-3/4-4 | 7.50 | 7.00 | 4.25 | 15.00 | 13.50 | 12.50 |

All dimensions in inches.

110 CLOSED SPELTER SOCKET

| | Rope Diameter | B | C | D | F | J | K | L |
|--------------|---------------|------|-------|------|------|-------|------|-------|
| FORGED STEEL | 7/16-1/2 | 0.69 | 2.00 | 1.16 | 0.56 | 2.50 | 0.88 | 2.25 |
| | 9/16-5/8 | 0.81 | 2.63 | 1.41 | 0.69 | 3.00 | 1.00 | 2.50 |
| | 3/4 | 1.06 | 3.00 | 1.66 | 0.81 | 3.56 | 1.25 | 3.00 |
| | 7/8 | 1.25 | 3.63 | 1.88 | 0.94 | 4.00 | 1.50 | 3.50 |
| | 1 | 1.38 | 4.13 | 2.30 | 1.13 | 4.44 | 1.75 | 4.00 |
| | 1-1/8 | 1.50 | 4.50 | 2.56 | 1.25 | 5.00 | 2.00 | 4.50 |
| | 1-1/4-1-3/8 | 1.63 | 5.30 | 2.81 | 1.50 | 5.50 | 2.25 | 5.00 |
| | 1-1/2 | 1.94 | 5.33 | 3.19 | 1.63 | 6.00 | 2.50 | 6.00 |
| CAST STEEL | 1-5/8 | 2.13 | 5.75 | 3.25 | 1.75 | 6.50 | 2.75 | 6.50 |
| | 1-3/4-1-7/8 | 2.19 | 6.75 | 3.75 | 2.00 | 7.50 | 3.00 | 7.56 |
| | 2-2-1/8 | 2.44 | 7.63 | 4.38 | 2.25 | 8.50 | 3.25 | 8.56 |
| | 2-1/4-2-3/8 | 2.63 | 8.50 | 5.00 | 2.50 | 9.00 | 3.63 | 9.50 |
| | 2-1/2-2-5/8 | 3.12 | 9.50 | 5.50 | 2.88 | 9.75 | 4.00 | 10.62 |
| | 2-3/4-2-7/8 | 3.12 | 10.75 | 6.25 | 3.12 | 11.00 | 4.88 | 11.25 |
| | 3-3-1/8 | 3.25 | 11.50 | 6.75 | 3.38 | 12.00 | 5.25 | 11.75 |
| | 3-1/4-3-3/8 | 4.00 | 12.25 | 7.25 | 3.62 | 13.00 | 5.75 | 12.25 |
| | 3-1/2-3-5/8 | 4.00 | 13.00 | 7.75 | 3.88 | 14.00 | 6.25 | 13.00 |
| | 3-3/4-4 | 4.25 | 14.25 | 8.50 | 4.25 | 15.00 | 7.00 | 14.00 |

All dimensions in inches.





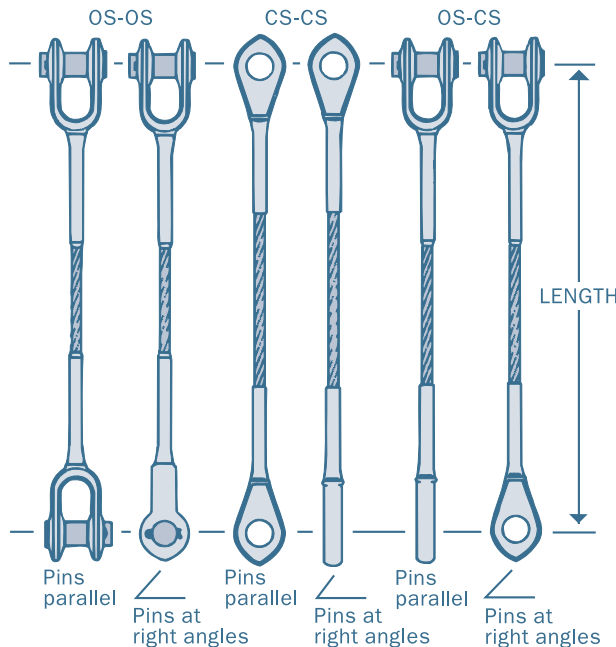
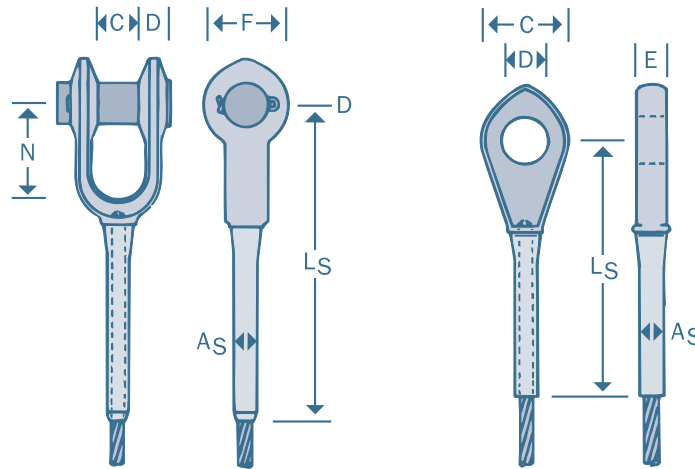
Socket assemblies - custom fabricated

SWAGED SOCKET

In mechanically swaged fittings, high pressure presses and precision dies cause the metal of the socket to flow around the wires and strands to result in the ultimate compactness and strength with minimum weight.

The material is weldless, drop-forged steel.

Normally, only regular lay rope is used in the swaged sockets. The swaged assemblies are interchangeable with poured sockets up through 2" rope diameters. Assembly length is measured from the centerline of pins for both open and closed swaged sockets.



115 SWAGED SOCKET

| Rope Dia. (in.) | RATED CAPACITY In Tons of 2000 lbs. | |
|--------------------|---|-------|
| | XIP® | XXIP® |
| #1/2 | 0.68 | 0.74 |
| 5/16 | 1.1 | 1.2 |
| 3/8 | 1.5 | 1.7 |
| 7/16 | 2.0 | 2.2 |
| 1/2 | 2.7 | 2.9 |
| 9/16 | 3.4 | 3.7 |
| 5/8 | 4.1 | 4.5 |
| 3/4 | 5.9 | 6.5 |
| 7/8 | 8.0 | 8.8 |
| 1 | 10 | 11 |
| 1-1/8 | 13 | 14 |
| 1-1/4 | 16 | 18 |
| 1-3/8 | 19 | 21 |
| 1-1/2 | 23 | 25 |
| 1-3/4 | 31 | 34 |
| 2 | 40 | 43 |
| 2-1/4 | 49 | 54 |
| 2-1/2 | 60 | 66 |



115 OPEN SWAGED SOCKET

| Rope Dia. | C | D | F | N | Pin | A _s Max. After Swage Dia. | L _s Approx. After Swage Length |
|-----------|------|------|------|------|------|--------------------------------------|---|
| 1/4 | 0.69 | 0.38 | 1.38 | 1.47 | 0.69 | 0.46 | 4.25 |
| 5/16 | 0.81 | 0.47 | 1.62 | 1.67 | 0.81 | 0.71 | 5.50 |
| 3/8 | 0.81 | 0.47 | 1.62 | 1.67 | 0.81 | 0.71 | 5.50 |
| 7/16 | 1.00 | 0.56 | 2.00 | 1.96 | 1.00 | 0.91 | 7.00 |
| 1/2 | 1.00 | 0.56 | 2.00 | 1.96 | 1.00 | 0.91 | 7.00 |
| 9/16 | 1.25 | 0.68 | 2.38 | 2.21 | 1.19 | 1.16 | 8.50 |
| 5/8 | 1.25 | 0.68 | 2.38 | 2.21 | 1.19 | 1.16 | 8.50 |
| 3/4 | 1.50 | 0.78 | 2.75 | 2.69 | 1.38 | 1.42 | 10.50 |
| 7/8 | 1.75 | 0.94 | 3.13 | 3.20 | 1.62 | 1.55 | 12.25 |
| 1 | 2.00 | 1.06 | 3.69 | 3.68 | 2.00 | 1.80 | 14.00 |
| 1-1/8 | 2.25 | 1.19 | 4.06 | 4.18 | 2.25 | 2.05 | 15.75 |
| 1-1/4 | 2.50 | 1.22 | 4.50 | 4.64 | 2.50 | 2.30 | 17.25 |
| 1-3/8 | 2.50 | 1.38 | 5.00 | 5.25 | 2.50 | 2.56 | 19.00 |
| 1-1/2 | 3.00 | 1.69 | 5.50 | 5.70 | 2.75 | 2.81 | 20.75 |
| 1-3/4 | 3.50 | 2.11 | 6.69 | 6.67 | 3.50 | 3.06 | 24.25 |
| 2 | 4.00 | 2.37 | 8.00 | 8.19 | 3.75 | 3.56 | 28.25 |

All dimensions in inches.

115 CLOSED SWAGED SOCKET

| Rope Dia. | C | D | E | A _s Max. After Swage Dia. | L _s Approx. After Swage Length |
|-----------|------|------|------|--------------------------------------|---|
| 1/4 | 1.38 | 0.75 | 0.50 | 0.46 | 3.75 |
| 5/16 | 1.62 | 0.88 | 0.67 | 0.71 | 4.75 |
| 3/8 | 1.62 | 0.88 | 0.67 | 0.71 | 4.75 |
| 7/16 | 2.00 | 1.06 | 0.86 | 0.91 | 6.00 |
| 1/2 | 2.00 | 1.06 | 0.86 | 0.91 | 6.00 |
| 9/16 | 2.38 | 1.25 | 1.13 | 1.16 | 7.75 |
| 5/8 | 2.38 | 1.25 | 1.13 | 1.16 | 7.75 |
| 3/4 | 2.88 | 1.44 | 1.31 | 1.42 | 9.25 |
| 7/8 | 3.12 | 1.69 | 1.50 | 1.55 | 10.75 |
| 1 | 3.63 | 2.06 | 1.75 | 1.80 | 12.25 |
| 1-1/8 | 4.00 | 2.31 | 2.00 | 2.05 | 13.50 |
| 1-1/4 | 4.50 | 2.56 | 2.25 | 2.30 | 15.25 |
| 1-3/8 | 5.00 | 2.56 | 2.25 | 2.56 | 16.75 |
| 1-1/2 | 5.50 | 2.81 | 2.50 | 2.81 | 18.00 |
| 1-3/4 | 6.25 | 3.56 | 3.00 | 3.06 | 21.25 |
| 2 | 7.25 | 3.81 | 3.25 | 3.56 | 24.25 |

All dimensions in inches.